



DATA SHEET

R-450N / R-450S STAINLESS STEEL

RAILS

MECHANICAL



Steel
* R-450S SS



R-450N:

- ▷ Rail made from steel with an epoxy paint finish.
- ▷ Can be installed on the floor or on a platform (recommended).



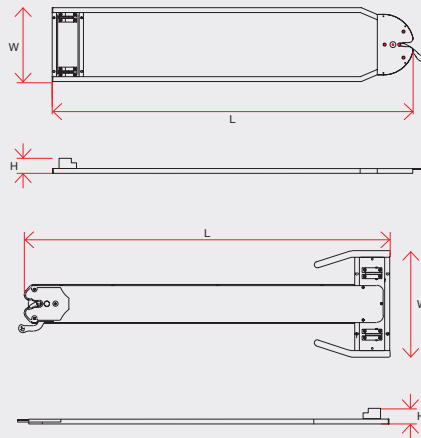
R-450S INOX:

- ▷ Rail made from polished stainless steel.
- ▷ Can be installed on the floor or on a platform (recommended).

ESPECIFICACIONES DEL PRODUCTO

	R-450N
H Height (mm)	76
L Length (mm)	1860
W Width (mm)	380
Weight (kg)	8,5

	R-450S INOX
H Height (mm)	75
L Length (mm)	1681
W Width (mm)	497
Weight (kg)	13



RELATED PRODUCTS



TG-8802



TG-8804



KARTSANA

Life-moving innovation

Narcís Monturiol, 34
08192 - Sant Quirze del Vallès
Barcelona (Spain)

T.: +34 93 715 86 72
info@kartsana.com
www.kartsana.com