



DATA SHEET

TG-1000 POWER BRAVA

BRAVA SERIES

ELECTRIC EQUIPMENT



Aluminium



Electric



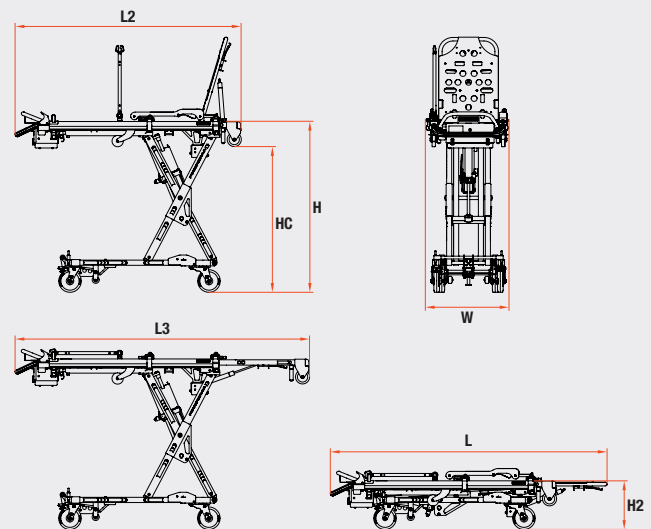
300 Kg unassisted



- ▷ Control the stretcher from the operator's position.
- ▷ Control panel intuitive, autonomous and functional.
- ▷ Adjustable headrest with shock absorber.
- ▷ Double-jointed leg rest with 2 shock absorbers.
- ▷ 4 ø160 mm rotating wheels.
(2 remote-lockable wheels via pedal).
- ▷ Laterally and longitudinally collapsible guardrails.
- ▷ Three-point safety belt kit and IV pole.
- ▷ Aluminium tray for performing cardiac massages.
- ▷ The head area features a telescopic frame to facilitate manoeuvring in places with difficult access.
- ▷ Hydraulic system unlocking button in case of fault.
- ▷ Emergency lights
- ▷ Maximum autonomy, 2 independent batteries.

PRODUCT SPECIFICATIONS

	TG-1000	TG-1000XL
H Max. height (mm)	1300	1300
HC Max. adjustable height (mm)	1035	1035
H2 Min. height (mm)	432	432
L Length (mm)	1972	1972
L2 Length closed (mm)	1589	-
L3 Length open (mm)	2076	-
W Width (mm)	574	825
Load capacity (kg)	300	300
Weight (kg)	69	78,5



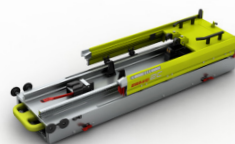
RELATED PRODUCTS



R-1002A BRAVO



R-1001 BRAVO



R-1001C BRAVO



TG-1000 IN



Bariatric Kit



KARTSANA

Life-moving innovation

Narcís Monturiol, 34
08192 - Sant Quirze del Vallès
Barcelona (Spain)

T.: +34 93 715 86 72
info@kartsana.com
www.kartsana.com