

KARTSANA

Life-moving innovation



CHEROKEE SERIES



CHEROKEE SERIES

The electric stretcher for the English-speaking world



Aluminium and stainless steel



Electric



TG-1000UK

- ▷ Adjustable headrest with shock absorber.
- ▷ Double-jointed leg rest with 2 shock absorbers.
- ▷ 4 Ø160 mm rotating wheels (2 lockable wheels + 2 with brakes).
- ▷ Guardrails that collapse longitudinally and fold outwards.
- ▷ Folding IV pole.
- ▷ Three-point safety belt kit.
- ▷ Manual operation system.



Product certification

All KARTSANA products comply with the EN 1865 and 1789 standards.

01

Control panel

New and improved control panel, now more intuitive, autonomous and functional.



03 Drive handles

02

2 attachment systems

Fixed anchor.



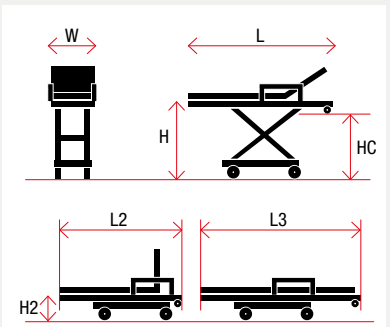
Mobile anchor.



DIMENSIONS AND WEIGHT

TG-1000UK

H Max. height (mm)	955
H2 Min. height (mm)	465
HC Max. adjustable height (mm)	940
L Length (mm)	1990
L2 Length closed (mm)	1680
L3 Length open (mm)	1990
W Width (mm)	567
Load capacity (kg)	300
Weight (kg)	78,6



CHEROKEE ATTACHMENT DIMENSIONS AND WEIGHT

	FIXED		MOBILE	
	R-100F	R-101F	R-102	R-103
Height (mm)	327	146	326.6	146
Length (mm)	332	337.5	385	443.5
Width (mm)	190	200	329	329
Weight (kg)	8	8.5	10	10.5



KARTSANA S.L.

Narcís Monturiol, 34
08192 · Sant Quirze del Vallès
Barcelona (Spain)
T.: +34 93 715 86 72
E.: info@kartsana.com
www.kartsana.com

07-2022

© 2022 · Kartsana. All rights reserved.