



DATA SHEET

# R-450N / R-450S STAINLESS STEEL

RAILS

MECHANICAL



\* R-450S SS



### R-450N:

- ▷ Rail made from steel with an epoxy paint finish.
- ▷ Can be installed on the floor or on a platform (recommended).



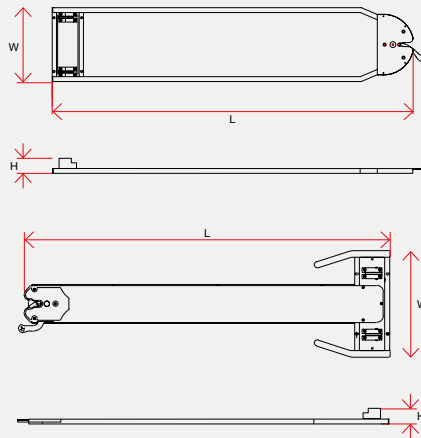
### R-450S INOX:

- ▷ Rail made from polished stainless steel.
- ▷ Can be installed on the floor or on a platform (recommended).

## ESPECIFICACIONES DEL PRODUCTO

	R-450N
<b>H</b> Height (mm)	76
<b>L</b> Length (mm)	1860
<b>W</b> Width (mm)	380
Weight (kg)	8.5

	R-450S INOX
<b>H</b> Height (mm)	75
<b>L</b> Length (mm)	1708
<b>W</b> Width (mm)	497
Weight (kg)	11.6



## RELATED PRODUCTS



241 Series



TG-880 C4



**KARTSANA**

Life-moving innovation

Narcís Monturiol, 34  
08192 - Sant Quirze del Vallès  
Barcelona (Spain)

T.: +34 93 715 86 72  
info@kartsana.com  
www.kartsana.com