



DATA SHEET
TG-1000 IN

ACCESSORIES

SPECIAL EQUIPMENT



Aluminium



Electric



300 kg
unassisted



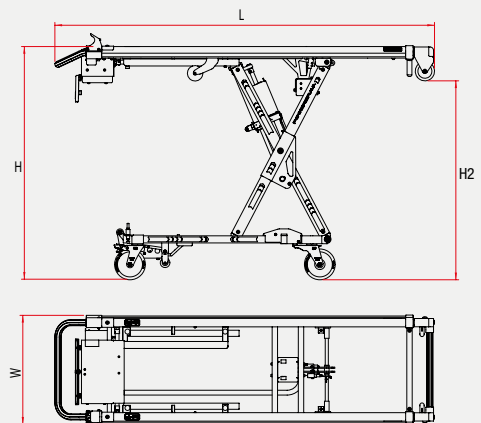
- ▷ Stretcher compatible with incubators for paediatric services.
- ▷ Adjustable working height.
- ▷ 4 ø160 mm rotating wheels (2 locking wheels + 2 with brakes).
- ▷ Hydraulic system unlocking button in case of fault.
- ▷ Safety system for avoiding collapse.



* Upper tray C-004 not included in reference TG-1000 IN.

DIMENSIONS AND WEIGHT

	TG-1000-IN
H Max. height (mm)	1300
H2 Min. height (mm)	350
L Length (mm)	1972
W Width (mm)	574
Weight (kg)	61



RELATED PRODUCTS



R-1001 BRAVO



TG-880 C4 IN



C-004



KARTSANA

Life-moving innovation

Narcís Monturiol, 34
08192 - Sant Quirze del Vallès
Barcelona (Spain)

T.: +34 93 715 86 72
info@kartsana.com
www.kartsana.com