

DATA SHEET TG-241

241 COMPACT SERIES

MECHANICAL



Aluminium



Reclinable



250 Kg



Laterally and longitudinally collapsible guardrails



Leg rest with shock absorber



Rotating wheels



Lockable wheels



Twin wheels on leading edge

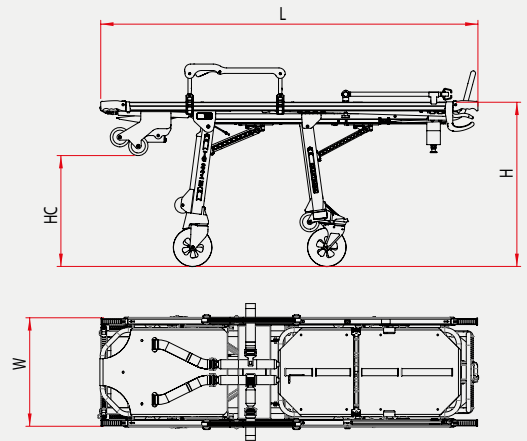


- ▷ 250kg load capacity
- ▷ Double attack wheel for easier loading
- ▷ Shock-assisted adjustable head
- ▷ Shock-assisted single-joint leg
- ▷ Trendelenburg, anti-Trendelenburg and intermediate position
- ▷ 4 telescopic grips
- ▷ 4 lockable Ø200mm rotating wheels
- ▷ Locking and unlocking the front wheel for added safety and ease
- ▷ Side and longitudinal folding rails to facilitate patient loading
- ▷ Foldable IV pole
- ▷ Belt kit for shoulders, abdomen and legs
- ▷ Aluminum tray for cardiac massage
- ▷ 3 heights available to adapt to the ramp of the rail of the ambulance
- ▷ Features Trendelenburg and anti-Trendelenburg recline
- ▷ Fireproof welded mattress

DIMENSIONS AND WEIGHT

	S	M	L	XL
H Height (mm)	810	860	904	
HC Height from floor to leading wheel (mm)	530	585	639	-
W Width (mm)	590	590	590	-
L Length (mm)	1951	1951	1951	-
Weight (kg) *	50	51.7	54	-

* Weight with mattress and belts.



RELATED PRODUCTS



R-419



KARTSANA

Life-moving innovation

Narcís Monturiol, 34
08192 - Sant Quirze del Vallès
Barcelona (Spain)

T.: +34 93 715 86 72
info@kartsana.com
www.kartsana.com