

DATA SHEET

TGF-241S / TGF-241S4

MORTUARY STRETCHERS

SPECIAL EQUIPMENT



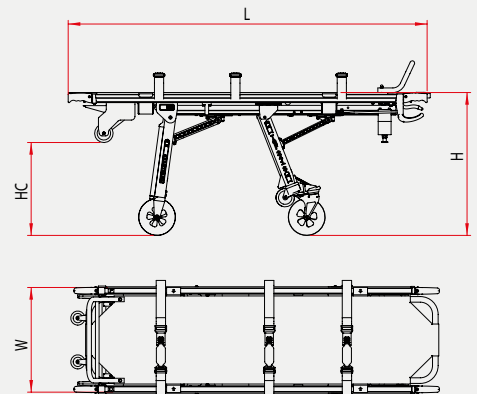
Aluminium



- ▷ Made of Aluminum. Light and handy.
- ▷ 1 intermediate position to facilitate the transfer from the bed to the stretcher.
- ▷ **TGF-241S**: 2 lockable rear wheels and 2 fixed front wheels.
- ▷ **TGF-241S4**: 4 rotating lockable wheels.
- ▷ 4 telescopic handles for easy maneuverability.
- ▷ Three-point safety belt kit to properly secure the body.

DIMENSIONS AND WEIGHT

| | | TGF-241S / TGF-241S4 |
|-----------|---|----------------------|
| H | Height (mm) | 810 |
| HC | Height from the floor to the leading wheel (mm) | 550 |
| W | Width (mm) | 570 |
| L | Length (mm) | 1975 |
| | Stretcher weight (Kg) | 36 |
| | Total weight (Kg) | 47 |



RELATED PRODUCTS



R-419



KARTSANA

Life-moving innovation

Narcís Monturiol, 34
08192 · Sant Quirze del Vallès
Barcelona (Spain)

T.: +34 93 715 86 72
info@kartsana.com
www.kartsana.com